

The HF series is a balanced ported valve designed for refrigeration, air conditioning and heat pump applications.

Features

- Stainless steel replaceable power element eliminates corrosion and prevents valve failure
- Two body sizes provide capacities from 1/4 to 20 tons



Standard Body – HF & HFK

- The HF is offered several ways:
 - *Pre-packaged HFK service kits* – Include a mix of bodies and power elements with a complete set of cages to serve the most applications with a minimum of parts
 - *Individual components* – Bodies, cages, & power elements may be ordered separately
 - *Finished valves* – Assembled valves ready for immediate installation
- Bi-Flow capability up to 5-1/2 tons R-22 allows one valve to control the superheat in both cooling and heating modes

NOTE: If the HF body is stamped HFK, then the cage is replaceable.

Options

- ODF or SAE connections
- Straight-through or angle flow configurations
- Removable inlet strainer (ODF only)
- Internal or external equalizer

Extended Body – HF

- Capacity range from 8 to 20 tons (R-22)
- Finished valve only

Specifications

- Maximum working pressure: 450 psig

Nomenclature example: HFESC 2 HC 5 FT 3/8 x 1/2 ODF S/T

HF	N	E	S	C	B	2	H	C	5 FT	3/8 x 1/2	ODF	S/T
Valve Series Balanced Port Design	Superheat Adjustment N = Non-Adjustable Omit for Adjustable	Equalizer E=External (Omit for Internal)	Connection Type S = Solder (Omit for SAE Flare)	Removable Inlet Strainer (optional) C = Inlet Strainer (ODF only)	Bleed Hole (optional) (Omit for no bleed hole)	Capacity Nominal Rating in Tons (See nominal capacity table below)	Refrigerant Code +F = R-12 • H = R-22 +M = R-134a • N = R-407C * P = R-507 * R = R-502 * S = R-404A	Charge Code C = medium temp CA = heat pump W(MOP) = press. limiting Z = low temp AA = wide range	Capillary Tube Length 5 FT (std)	Inlet x Outlet Connection Sizes 1/4 x 3/8 3/8 x 1/2	Connection Type SAE = flare ODF = solder	Configuration ANG = 90° angle S/T = straight-thru

+ = R-12 and R-134a are interchangeable refrigerant charges
 * = R-507, R-502 and R-404A are interchangeable refrigerant charges
 • = R-22 and R-407C are interchangeable refrigerant charges

HF Series-Nominal* Capacity Tables in Tons (kW)

Standard Body HF

R-12	R-134a	R-22/R-407C	R-502/R-404A/R-507
1/8 (0.4)	1/4 (0.9)	1/4 (0.9)	1/8 (0.4)
1/4 (0.9)	1/2 (1.8)	1/2 (1.8)	1/4 (0.9)
1/2 (1.8)	3/4 (2.7)	1 (3.5)	1/2 (1.8)
1 (3.5)	1 (3.5)	1 1/2 (5.3)	1 (3.5)
1 1/4 (4.4)	1 1/2 (5.3)	2 (7.0)	1 1/4 (4.4)
1 1/2 (5.3)	1 3/4 (6.2)	2 1/2 (8.8)	1 1/2 (5.3)
2 (7.0)	2 1/2 (8.8)	3 (11.0)	2 (7.0)
3 1/2 (12.0)	4 (14.0)	5 1/2 (20.0)	3 1/2 (12.0)

Extended Body HF

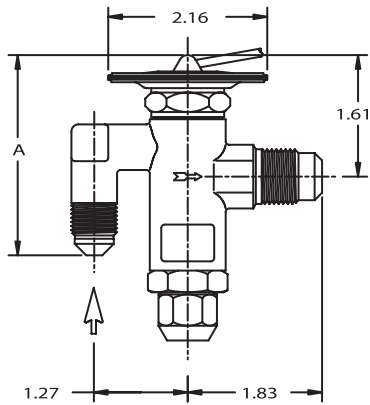
R-12	R-134a	R-22/R-407C	R-502/R-404A/R-507
5 (17.0)	6 (21.0)	8 (28.0)	5 (17.0)
6 (21.0)	7 1/2 (27.0)	10 (35.0)	7 (27.0)
9 (32.0)	11 (39.0)	15 (53.0)	10 (35.0)
12 (42.0)	14 (50.0)	20 (70.0)	13 (46.0)

All capacities shown are at 100°F condensing, 40°F evaporator temperature.
 *See Extended Capacity Tables for ratings at a wide range of conditions per ARI standard 750.

Dimensional Data

Standard Body HF

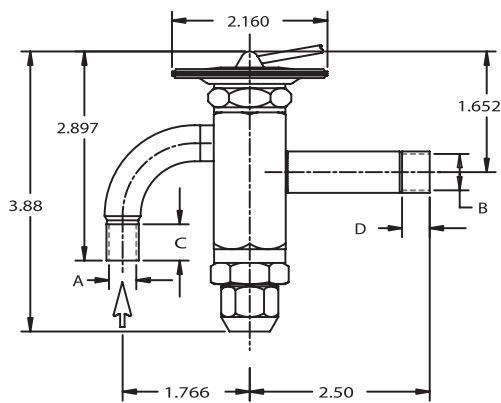
¼ thru 5½ tons R-22



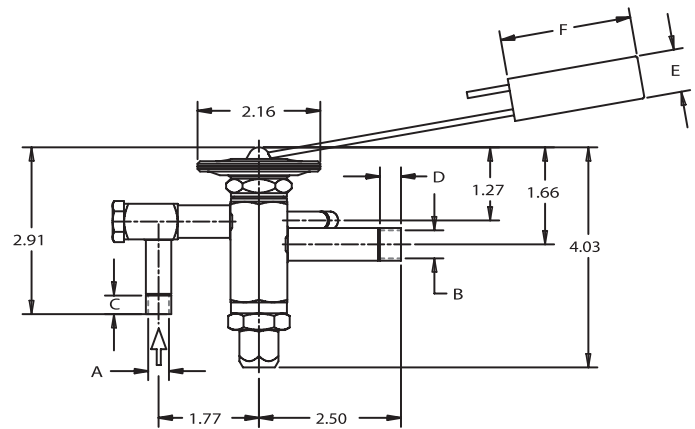
SAE

HF SAE

Connection Size		A	B	C
Inlet	Outlet			
1/4 SAE	1/2 SAE	3.11	1.27	1.83
3/8 SAE	1/2 SAE	2.72		



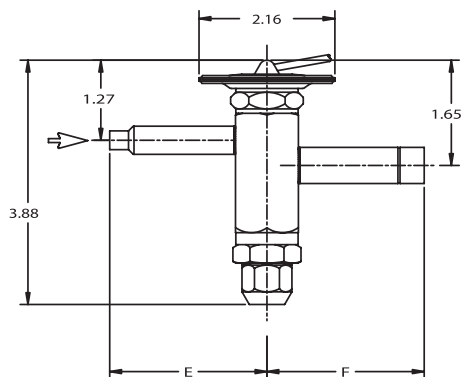
ODF



ODF
w/optional strainer
at inlet

Extended Body HF

8, 10, 15 & 20 ton R-22



ODF

HF ODF

Connection Size		A± .002	B± .002	C MIN	D MIN	E	F
Inlet	Outlet						
1/4 ODF	3/8 ODF	0.25	0.38	0.31	0.31	2.50	2.50
3/8 ODF	1/2 ODF	0.25	0.50	0.31	0.37		
3/8 ODF	1/2 ODF	0.38	0.50	0.37	0.37		

Ordering Information

Use the following tables to order individual components.

HFK Body Selection Table

PCN	Description	Type	Connections (Inlet x Outlet)
064881	KT-20298-1	HFK	1/4 x 1/2 SAE Ang Inlet
064882	KT-20298-2	HFK	3/8 x 1/2 SAE Ang Inlet
064883	KT-20298-3	HFKE	1/4 x 1/2 SAE Ang Inlet
064884	KT-20298-4	HFKE	3/8 x 1/2 SAE Ang Inlet
064885	KT-20298-5	HFKSC	3/8 x 1/2 ODF Ang Inlet w/ Strainer
064886	KT-20298-6	HFKESC	3/8 x 1/2 ODF Ang Inlet w/ Strainer
064887	KT-20298-7	HFKS	3/8 x 1/2 ODF S/T
064888	KT-20298-8	HFKS	3/8 x 5/8 ODF S/T
064889	KT-20298-9	HFKS	1/2 x 5/8 ODF S/T
064890	KT-20298-10	HFKS	1/2 x 7/8 ODF S/T
064891	KT-20298-11	HFKES	3/8 x 1/2 ODF S/T
064892	KT-20298-12	HFKES	3/8 x 5/8 ODF S/T
064895	KT-20298-13	HFKES	1/2 x 5/8 ODF S/T
064896	KT-20298-14	HFKES	1/2 x 7/8 ODF S/T

HF & HFK Power Element Table

PCN	Description	System Refrigerant(s)	Application
053769	X26300-FW15-1	R-134a/R-12	Low Temp MOP
054798	X26300-FW35-1	R-134a/R-12	Low Temp MOP
063869	X26300-FW55-1	R-134a/R-12	Low Temp MOP
053766	X26300-FZ-1	R-134a/R-12	Low Temp
053763	X26300-FC-1	R-134a/R-12	Medium Temp
058074	X26300-MC-1	R-134a	Medium Temp
053767	X26300-HZ-1	R-22/R-407C	Low Temp
057834	X26300-HCA-1	R-22/R-407C	Heat Pump
057764	X26300-HW100-1	R-22/R-407C	AC MOP
053764	X26300-HC-1	R-22/R-407C	A/C Med. Temp
058085	X26300-SW45-1	R-404/ R-507/ R-502	Low Temp MOP
058082	X26300-SZ-1	R-404/ R-507/ R-502	Low Temp
058083	X26300-SC-1	R-404/ R-507/ R-502	Medium Temp

HFK Cage Nominal* Capacity Table

PCN	Description ¹	Cage Code	R-12	R-22	R-134a	R-404	R-507	R-502	R-407C
064868	KT-20299-0	0	1/8	1/4	1/4	1/8	1/8	1/8	1/4
064869	KT-20299-1	1	1/4	1/2	1/2	1/4	1/4	1/4	1/2
064870	KT-20299-2	2	1/2	1	3/4	1/2	1/2	1/2	1
064871	KT-20299-3	3	1	1 1/2	1	1	1	1	1 1/2
064872	KT-20299-4	4	1 1/4	2	1 1/2	1 1/4	1 1/4	1 1/4	2
064873	KT-20299-5	5	1 1/2	2 1/2	1 3/4	1 1/2	1 1/2	1 1/2	2 1/2
064874	KT-20299-6	6	2	3	2 1/2	2	2	2	3
064875	KT-20299-7	7	3 1/2	5 1/2	4	3 1/2	3 1/2	3 1/2	5 1/2

¹ Cage Kit includes Cage, Insertion Tool and ID Clips.

*All capacities shown are at 100°F condensing, 40°F evaporator temperature.

See Extended Capacity Tables for ratings at a wide range of conditions per ARI standard 750.

Cage Kit (PCN 064879)

Item	Qty
Size 0 Cage (1/4 ton R-22)	2
Size 1 Cage (1/2 ton R-22)	2
Size 2 Cage (1 ton R-22)	2
Size 3 Cage (1 1/2 ton R-22)	2
Size 4 Cage (2 ton R-22)	2
Size 5 Cage (2 1/2 ton R-22)	2
Size 6 Cage (3 ton R-22)	2
Size 7 Cage (5 1/2 ton R-22)	2
Insertion Tool	1
Oil Bottle	1
Cage ID Tags	16

Replacement Parts – SAE Inlet

PCN	Part Number	Description
027385	X-11176-1	3/8" Inlet Filter Screen
058707	27676-1	Seal Cap
048638	X-11176-7	1/4" Inlet Filter Screen

Replacement Parts- HFSC & HFESC Only

PCN	Kit Number	Description
057686	KT-20264	Includes seal cap, gasket o-ring, screen, spring

HFK Accessories

PCN	Description
064897	Cage Box (Empty)
064898	Insertion Tool
064899	Oil Bottle
065203	Cage Gasket Kit (12 sets)

Ordering Information

HFK Pre-Packaged Kits

The HFK is a pre-packaged kit consisting of a mix of popular bodies and power elements with a complete selection of cages. These kits provide great flexibility allowing valves to be assembled as needed for each application. Three kits are provided as shown below, along with the cage kit which is included in each pre-packaged kit. In addition, custom kits can be assembled by stocking an empty kit case with desired components.



SAE/ODF Kit (PCN 065135)

Item	Qty
HFK 3/8 x 1/2 SAE ANG	1
HFKE 3/8 x 1/2 SAE ANG	1
HFKS 3/8 x 1/2 ODF S/T	1
HFKES 3/8 x 1/2 ODF S/T	1
Cage Kit (PCN 064879)	1
Insertion Tool (PCN 064898)	1
Service Box	1
FC Power Element	1
FZ Power Element	1
HC Power Element	1
HZ Power Element	1
SC Power Element	1
SW45 Power Element	1

SAE Kit (PCN 064876)

Item	Qty
HFK 1/4 X 1/2 Body	1
HFK 3/8 X 1/2 Body	1
HFKE 3/8 X 1/2 Body	2
FC Power Element	2
HC Power Element	1
HZ Power Element	1
SZ Power Element	2
Cage Kit (PCN 064879)	1

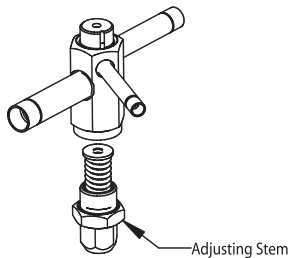
ODF Kit (PCN 064877)

Item	Qty
HFKSC 3/8 X 1/2 Body	1
HFKES 3/8 X 1/2 Body	1
HFKESC 3/8 X 1/2 Body	2
FC Power Element	2
HC Power Element	1
HZ Power Element	1
SZ Power Element	2
Cage Kit (PCN 064879)	1

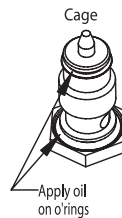
Cage Kit (PCN 064879)

Item	Qty
Size 0 Cage (1/4 ton R-22)	2
Size 1 Cage (1/2 ton R-22)	2
Size 2 Cage (1 ton R-22)	2
Size 3 Cage (1 1/2 ton R-22)	2
Size 4 Cage (2 ton R-22)	2
Size 5 Cage (2 1/2 ton R-22)	2
Size 6 Cage (3 ton R-22)	2
Size 7 Cage (5 1/2 ton R-22)	2
Insertion Tool	1
Oil Bottle	1
Cage ID Tags	16

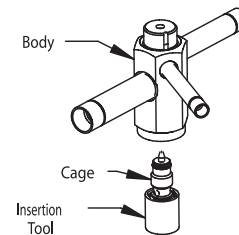
HFK Assembly Procedure (see 6 assembly steps & diagrams below)



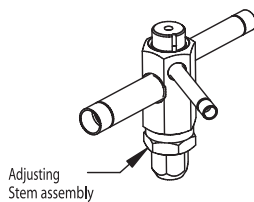
1. Remove adjusting stem assembly from body with 15/16" wrench.



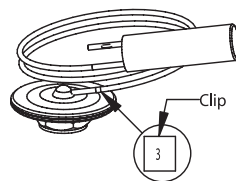
2. Lubricate both o-rings on cage.



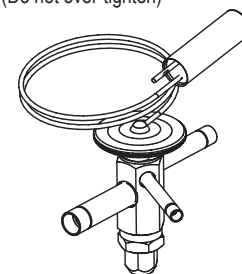
3. Insert cage into body with driver and insertion tool and hand tighten. (Do not over-tighten)



4. Replace adjustment stem assembly to body and hand tighten. Use the 15/16" wrench to tighten adjustment stem assembly 60° or one wrench flat. (300-360 inch lbs. - Do not over-tighten)



5. Attach cage identification clip on power element cap tube.



6. Screw power element to top of valve body and hand tighten. Use the 1" wrench to tighten power element 60° or one wrench flat. (300-360 inch lbs. - Do not over-tighten)

Ordering Information

Use the following tables to order factory assembled valves.

HF Series – Internally Equalized								
Refrigerant	Series	Tons*	Charge	Connections	Cap Tube	PCN		
R-12	HF HFS	1/4	FC	1/4 X 1/2 SAE ANG	5 FT	009811		
			FC	3/8 X 1/2 SAE ANG	5 FT	054134		
		1/2	FC	1/4 X 1/2 SAE ANG	5 FT	009810		
			FC	3/8 X 1/2 ODF ANG	5 FT	056063		
			FC	3/8 X 1/2 ODF S/T	5 FT	056013		
			FC	3/8 X 1/2 SAE	5 FT	054966		
			FC	3/8 X 1/2 SAE ANG	5 FT	054892		
			FC	3/8 X 1/2 ODF S/T	5 FT	056119		
		1	FC	3/8 X 1/2 SAE ANG	5 FT	057619		
			FC	3/8 X 1/2 SAE ANG	5 FT	054914		
1-1/2	FC	3/8 X 1/2 SAE ANG	5 FT	054914				
2	FC	3/8 X 1/2 SAE	5 FT	053060				
R-134a R-12	HF HFS	1/4	MC	3/8 X 1/2 ODF ANG	5 FT	058545		
			MC	3/8 X 1/2 SAE ANG	5 FT	057618		
		1/2	MC	3/8 X 1/2 ODF S/T	5 FT	058100		
			MC	3/8 X 1/2 SAE ANG	5 FT	057620		
1	MC	3/8 X 1/2 ODF S/T	5 FT	065641				
R-22 R-407C	HF HFS	1/4	HC	1/4 X 1/2 SAE ANG	5 FT	058430		
			HC	3/8 X 1/2 ODF ANG	5 FT	055493		
			HC	3/8 X 1/2 ODF S/T	5 FT	055633		
			HC	3/8 X 1/2 SAE	5 FT	054921		
			HZ	1/4 X 1/2 SAE ANG	5 FT	059653		
			HZ	3/8 X 1/2 ODF S/T	5 FT	056169		
		1/2	HC	1/4 X 1/2 SAE ANG	5 FT	009812		
			HC	3/8 X 1/2 ODF ANG	5 FT	054723		
			HC	3/8 X 1/2 ODF S/T	5 FT	054136		
			HC	3/8 X 1/2 SAE	5 FT	054135		
			HZ	3/8 X 1/2 SAE	5 FT	054364		
			HC	3/8 X 1/2 ODF ANG	5 FT	055702		
		1	HC	3/8 X 1/2 ODF S/T	5 FT	055928		
			HC	3/8 X 1/2 SAE	5 FT	054927		
			HZ	3/8 X 1/2 SAE	5 FT	054928		
			HC	3/8 X 1/2 ODF ANG	5 FT	055969		
			HC	3/8 X 1/2 ODF S/T	5 FT	056018		
			HC	3/8 X 1/2 SAE	5 FT	054933		
		1-1/2	HC	3/8 X 1/2 SAE	5 FT	054939		
			HZ	3/8 X 1/2 SAE ANG	5 FT	054940		
			HC	3/8 X 1/2 SAE	5 FT	054947		
			HC	3/8 X 1/2 SAE	5 FT	053316		
			HC	3/8 X 1/2 ODF S/T	5 FT	053915		
			HC	3/8 X 1/2 ODF S/T	5 FT	066516		
		R-404A R-507 R-502	HF HFS	1/4	SC	1/4 X 1/2	30 IN	066516
					SW45	1/4 X 1/2	30 IN	066517
					SZ	1/4 X 1/2	30 IN	066518
				1/2	SC	1/4 X 1/2	30 IN	066519
					SW45	1/4 X 1/2	30 IN	066520
					SZ	1/4 X 1/2	30 IN	066521
1	SC			3/8 X 1/2 ODF S/T	5 FT	065643		
	SW45			3/8 X 1/2	5 FT	066522		
	SZ			3/8 X 1/2	5 FT	066523		
1-1/2	SC			3/8 X 1/2	5 FT	066524		
	SW45			3/8 X 1/2	5 FT	066525		
	SZ			3/8 X 1/2	5 FT	066526		
2	SC			3/8 X 1/2	5 FT	066527		
	SW45			3/8 X 1/2	5 FT	066528		
	SZ			3/8 X 1/2	5 FT	066529		
3-1/2	SC			3/8 X 1/2	5 FT	066530		
	SW45			3/8 X 1/2	5 FT	066531		
	SZ			3/8 X 1/2	5 FT	066532		
R-502	HF HFS			1/4	RC	1/4 X 1/2 SAE ANG	5 FT	059304
					RC	3/8 X 1/2 ODF ANG	5 FT	055490
					RC	3/8 X 1/2 SAE	5 FT	054137
					RZ	1/4 X 3/8 ODF S/T	5 FT	055792
					RZ	3/8 X 1/2 ODF S/T	5 FT	056228
					RZ	3/8 X 1/2 SAE	5 FT	054369
		1/2	RC	3/8 X 1/2 SAE	5 FT	054964		
			RZ	3/8 X 1/2 ODF ANG	5 FT	055874		
			RZ	3/8 X 1/2 ODF S/T	5 FT	056008		
			RZ	3/8 X 1/2 SAE	5 FT	054965		
			RC	3/8 X 1/2 SAE	5 FT	054976		
			RC	3/8 X 1/2 SAE ANG	5 FT	054905		
		1	RZ	3/8 X 1/2 ODF ANG	5 FT	055785		
			RZ	3/8 X 1/2 SAE	5 FT	054977		
			RC	3/8 X 1/2 SAE	5 FT	054984		
			RZ	3/8 X 1/2 SAE	5 FT	054986		
			RC	3/8 X 1/2 SAE	5 FT	053061		
			RC	3/8 X 1/2 SAE	5 FT	055936		
		1-1/2	RC	3/8 X 1/2 SAE	5 FT	054984		
			RZ	3/8 X 1/2 SAE	5 FT	054986		
		2	RC	3/8 X 1/2 SAE	5 FT	053061		
3-1/2	RC	3/8 X 1/2 SAE	5 FT	055936				

Ordering Information (continued)

HF Series – Externally Equalized (continued)						
Refrigerant	Series	Tons*	Charge	Connections	Cap Tube	PCN
R-12	HFE HFES	1/4	FC	3/8 X 1/2 SAE ANG	5 FT	054360
		1/2	FC	1/4 X 1/2 SAE ANG	5 FT	009955
			FC	3/8 X 1/2 ODF ANG	5 FT	056021
			FC	3/8 X 1/2 ODF S/T	5 FT	056331
			FC	3/8 X 1/2 SAE ANG	5 FT	054895
		1	FC	3/8 X 1/2 ODF ANG	5 FT	055993
			FC	3/8 X 1/2 ODF S/T	5 FT	056151
		1-1/2	FC	3/8 X 1/2 SAE ANG	5 FT	054909
			FC	3/8 X 1/2 ODF ANG	5 FT	055994
		2	FC	3/8 X 1/2 SAE ANG	5 FT	054917
			FC	3/8 X 1/2 ODF S/T	5 FT	053266
		3-1/2	FC	3/8 X 1/2 SAE ANG	5 FT	053069
			FC	3/8 X 1/2 SAE ANG	5 FT	054138
		R-134a R-12	HFE HFES	1/4	MC	3/8 X 1/2 SAE ANG
1/2	MC			3/8 X 1/2 ODF S/T	5 FT	065645
	MC			3/8 X 1/2 SAE ANG	5 FT	057616
3/4	MC			3/8 X 1/2 ODF ANG	5 FT	057784
	MC			3/8 X 1/2 ODF S/T	5 FT	059422
1	MC			3/8 X 1/2 ODF ANG	5 FT	058546
	MC			3/8 X 1/2 ODF S/T	5 FT	065646
1-1/2	MC			3/8 X 1/2 SAE ANG	5 FT	057617
	MC			3/8 X 1/2 SAE ANG	5 FT	057895
1-3/4	MC			3/8 X 1/2 ODF S/T	5 FT	065647
	MC			3/8 X 1/2 SAE	5 FT	058152
4	MC			3/8 X 1/2 SAE ANG	5 FT	057896
	MC			3/8 X 1/2 ODF ANG	5 FT	057897
6	MC			5/8 X 7/8 ODF S/T	5 FT	057903
	MC	5/8 X 7/8 ODF S/T	5 FT	057906		
11	MC	7/8 X 1 1/8 ODF S/T	5 FT	058681		
	MC	7/8 X 1 3/8 ODF S/T	5 FT	064000		
R-22 R-407C	HFE HFES	1/4	HC	3/8 X 1/2 ODF S/T	5 FT	055927
			HC	3/8 X 1/2 SAE	5 FT	054924
			HZ	3/8 X 1/2 SAE	5 FT	054925
		1/2	HC	1/4 X 1/2 SAE ANG	5 FT	059079
			HC	3/8 X 1/2 ODF ANG	5 FT	054838
			HC	3/8 X 1/2 ODF S/T	5 FT	055827
			HC	3/8 X 1/2 SAE	5 FT	054361
			HZ	3/8 X 1/2 ODF S/T	5 FT	055889
			HZ	3/8 X 1/2 SAE	5 FT	054365
		1	HC	3/8 X 1/2 ODF ANG	5 FT	055494
			HC	3/8 X 1/2 ODF S/T	5 FT	055708
			HC	3/8 X 1/2 SAE	5 FT	054930
			HW 35	3/8 X 1/2 SAE	5 FT	054932
		1-1/2	HZ	3/8 X 1/2 SAE	5 FT	054931
			HC	3/8 X 1/2 ODF ANG	5 FT	055495
			HC	3/8 X 1/2 ODF S/T	5 FT	055863
			HC	3/8 X 1/2 SAE	5 FT	054936
		2	HZ	3/8 X 1/2 ODF S/T	5 FT	055870
			HZ	3/8 X 1/2 SAE	5 FT	054937
			HC	3/8 X 1/2 ODF S/T	5 FT	055706
			HC	3/8 X 1/2 SAE	5 FT	054942
		2-1/2	HC	3/8 X 1/2 ODF ANG	5 FT	054946
			HZ	3/8 X 1/2 SAE	5 FT	054943
			HC	3/8 X 1/2 ODF ANG	5 FT	056042
			HC	3/8 X 1/2 ODF S/T	5 FT	055931
		3	HC	3/8 X 1/2 SAE	5 FT	054950
			HC	3/8 X 1/2 ODF ANG	5 FT	054756
			HC	3/8 X 1/2 ODF S/T	5 FT	053916
HC	3/8 X 1/2 SAE		5 FT	053317		
HC	1/2 X 5/8 ODF ANG		5 FT	064761		
HCA	3/8 X 1/2 ODF S/T		5 FT	058648		
HCA	1/2 X 5/8 ODF S/T		5 FT	061730		
HZ	3/8 X 1/2 ODF S/T		5 FT	055924		
HZ	3/8 X 1/2 SAE	5 FT	053191			

Ordering Information (continued)

HF Series – Externally Equalized (continued)								
Refrigerant	Series	Tons*	Charge	Connections	Cap Tube	PCN		
R-22 R-407C	HFE HFES	5-1/2	HC	3/8 X 1/2 ODF S/T	5 FT	054141		
			HC	3/8 X 1/2 SAE	5 FT	054140		
			HC	1/2 X 5/8 ODF ANG	5 FT	054778		
			HC	1/2 X 7/8 ODF S/T	5 FT	055187		
			HC	5/8 X 7/8 ODF S/T	5 FT	054779		
			HCA	3/8 X 1/2 ODF S/T	5 FT	065649		
			HCA	1/2 X 5/8 ODF ANG	5 FT	057378		
			HZ	3/8 X 1/2 ODF S/T	5 FT	054780		
		8	HZ	3/8 X 1/2 SAE	5 FT	054777		
			HC	1/2 X 5/8 ODF S/T	5 FT	057312		
			HC	5/8 X 1 1/8 ODF ST	5 FT	057313		
			HCA	1/2 X 7/8 ODF S/T	5 FT	056818		
			HCA	5/8 X 1 1/8 ODF ST	5 FT	056819		
			HC	1/2 X 5/8 ODF S/T	5 FT	057315		
			HC	5/8 X 7/8 ODF S/T	5 FT	057256		
			HC	7/8 X 1 1/8 ODF S/T	5 FT	057316		
		10	HCA	5/8 X 7/8 ODF S/T	5 FT	056820		
			HCA	5/8 X 1 1/8 ODF S/T	5 FT	056821		
			HC	5/8 X 1 1/8 ODF S/T	5 FT	062737		
			HC	5/8 X 7/8 ODF S/T	5 FT	057317		
		15	HC	7/8 X 1 1/8 ODF S/T	5 FT	057318		
			HCA	5/8 X 1 1/8 ODF S/T	5 FT	056824		
			HCA	5/8 X 7/8 ODF S/T	5 FT	056823		
			HCA	7/8 X 1 1/8 ODF S/T	5 FT	056825		
		20	HC	7/8 X 1 1/8 ODF S/T	5 FT	062055		
			HCA	7/8 X 1 1/8 ODF S/T	5 FT	058490		
		R-404A R-507 R-502	HFE HFES	1/4	SC	1/4 X 1/2 ODF S/T	30IN	066533
					SW 45	3/8 X 1/2 ODF S/T	5 FT	065734
SW 45	3/8 X 1/2 SAE ANG				5 FT	066623		
SZ	3/8 X 1/2 ODF S/T				5 FT	065733		
1/2	SC			3/8 X 1/2 ODF ANG	5 FT	058975		
	SW 45			3/8 X 1/2 ODF S/T	5 FT	065736		
	SW 45			3/8 X 1/2 SAE ANG	5 FT	066040		
	SZ			3/8 X 1/2 ODF ANG	5 FT	058995		
1	SZ			3/8 X 1/2 ODF S/T	5 FT	065735		
	SC			3/8 X 1/2 ODF S/T	5 FT	065650		
	SC			3/8 X 1/2 ODF ANG	5 FT	058976		
	SW 45			3/8 X 1/2 ODF ANG	5 FT	059086		
1-1/4	SW 45			3/8 X 1/2 SAE ANG	5 FT	066624		
	SW 45			3/8 X 1/2 ODF S/T	5 FT	065651		
	SZ			3/8 X 1/2 ODF S/T	5 FT	064289		
	SC			3/8 X 1/2 ODF ANG	5 FT	058977		
1-1/2	SW 45			3/8 X 1/2 ODF S/T	5 FT	057976		
	SZ			3/8 X 1/2 ODF S/T	5 FT	065737		
	SC			3/8 X 1/2 ODF S/T	5 FT	057974		
	SW 45			3/8 X 1/2 ODF S/T	5 FT	065738		
2	SW 45			3/8 X 1/2 SAE ANG	5 FT	066625		
	SZ			3/8 X 1/2 ODF S/T	5 FT	064290		
	SC			3/8 X 1/2 ODF S/T	5 FT	057958		
	SW 45			3/8 X 1/2 ODF S/T	5 FT	065740		
3-1/2	SW 45			3/8 X 1/2 SAE ANG	5 FT	066627		
	SZ			3/8 X 1/2 ODF S/T	5 FT	065739		
	SC			3/8 X 1/2 ODF S/T	5 FT	065652		
	SC			5/8 X 7/8 ODF S/T	5 FT	062151		
5	SW 45			1/2 X 5/8 ODF S/T	5 FT	066534		
	SZ			1/2 X 5/8 ODF S/T	5 FT	061694		
	SW 45			5/8 X 7/8 ODF S/T	5 FT	064170		
	SC			5/8 X 7/8 ODF S/T	5 FT	066536		
7	SZ			5/8 X 7/8 ODF S/T	5 FT	058451		
	SC			5/8 X 7/8 ODF S/T	5 FT	066536		
	SW45			5/8 X 7/8 ODF S/T	5 FT	066537		
	SZ			5/8 X 7/8 ODF S/T	5 FT	064291		
10	SC			5/8 X 7/8 ODF S/T	5 FT	066538		
	SW 45			5/8 X 7/8 ODF S/T	5 FT	064195		
	SZ			5/8 X 7/8 ODF S/T	5 FT	062828		

Ordering Information (continued)

HF Series – Externally Equalized (continued)									
Refrigerant	Series	Tons*	Charge	Connections	Cap Tube	PCN			
R-502	HFE (HFES)	1/4	RC	3/8 X 1/2 SAE	5 FT	054366			
			RC	3/8 X 1/2 ODF ANG	5 FT	055092			
			RZ	3/8 X 1/2 ODF ANG	5 FT	055491			
			RZ	3/8 X 1/2 SAE	5 FT	054370			
		1/2	RC	3/8 X 1/2 ODF ANG	5 FT	055992			
			RC	3/8 X 1/2 ODF S/T	5 FT	056022			
			RC	3/8 X 1/2 SAE	5 FT	054967			
			RW 45	3/8 X 1/2 ODF ANG	5 FT	055996			
			RW 45	3/8 X 1/2 SAE	5 FT	054969			
			RZ	3/8 X 1/2 ODF ANG	5 FT	055497			
			RZ	3/8 X 1/2 ODF S/T	5 FT	056024			
			RZ	3/8 X 1/2 SAE	5 FT	054968			
			R-502	HFE (HFES)	1	RC	3/8 X 1/2 ODF ANG	5 FT	054983
						RC	3/8 X 1/2 ODF S/T	5 FT	056029
RC	3/8 X 1/2 SAE	5 FT				054979			
RW 45	3/8 X 1/2 SAE	5 FT				054981			
RZ	3/8 X 1/2 ODF ANG	5 FT				055496			
RZ	3/8 X 1/2 ODF S/T	5 FT				056225			
RZ	3/8 X 1/2 SAE	5 FT				054980			
1-1/2	RC	3/8 X 1/2 ODF ANG			5 FT	055657			
	RC	3/8 X 1/2 ODF S/T			5 FT	056031			
	RC	3/8 X 1/2 SAE			5 FT	054988			
	RW 45	3/8 X 1/2 ODF ANG			5 FT	055991			
	RW 45	3/8 X 1/2 ODF S/T			5 FT	056032			
	RW 45	3/8 X 1/2 SAE			5 FT	054990			
	RZ	3/8 X 1/2 ODF ANG			5 FT	055498			
2	RZ	3/8 X 1/2 SAE	5 FT	054989					
	RC	3/8 X 1/2 ODF ANG	5 FT	054768					
	RC	3/8 X 1/2 ODF S/T	5 FT	053270					
	RC	3/8 X 1/2 SAE	5 FT	053070					
	RW 45	3/8 X 1/2 SAE	5 FT	054992					
	RZ	3/8 X 1/2 ODF S/T	5 FT	053271					
	RZ	3/8 X 1/2 ODF ANG	5 FT	054844					
	RZ	3/8 X 1/2 SAE	5 FT	053071					
	3-1/2	RC	3/8 X 1/2 ODF ANG	5 FT	054783				
		RC	3/8 X 1/2 ODF S/T	5 FT	054143				
RC		3/8 X 1/2 SAE	5 FT	054142					
RW 45		3/8 X 1/2 ODF ANG	5 FT	058907					
RZ		3/8 X 1/2 ODF ANG	5 FT	054785					
RZ		3/8 X 1/2 ODF S/T	5 FT	054784					
RZ		3/8 X 1/2 SAE	5 FT	054145					
5	RC	3/8 X 1/2 ODF S/T	5 FT	058875					
	RC	5/8 X 7/8 ODF S/T	5 FT	058608					
	RW 45	5/8 X 7/8 ODF S/T	5 FT	058305					
	RZ	1/2 X 5/8 ODF ANG	5 FT	061196					
7	RC	5/8 X 7/8 ODF S/T	5 FT	058607					
	RW 45	5/8 X 7/8 ODF S/T	5 FT	059291					
10	RC	5/8 X 7/8 ODF S/T	5 FT	058808					

* For interchangeable refrigerant charges R-134a/R-12, R-404A/R-507/R-502, and R-22/R-407C, the tons of capacity shown in the table are for the first (primary) refrigerant listed. Consult the Nominal Capacity Table for determining the tons of capacity for the secondary refrigerants listed.

Example: A 1/4 ton R-12 valve is required. What R-134a ton valve should be selected?

Solution: From the Nominal Capacity Table, a 1/2 ton R-134a valve is equivalent to a 1/4 ton R-12 valve.

Ordering Information (continued)

HFESC Series – Externally Equalized (continued)								
Refrigerant	Series	Tons*	Charge	Connections	Cap Tube	PCN		
R-12	HFESC	1/2	FC	3/8 X 1/2 ODF ANG	5 FT	057397		
		1	FC	3/8 X 1/2 ODF ANG	5 FT	057398		
		1-1/2	FC	3/8 X 1/2 ODF ANG	5 FT	057399		
R-134a R-12	HFESC	1/4	MC	3/8 X 1/2 ODF ANG	5 FT	057572		
		1/2	MC	3/8 X 1/2 ODF ANG	5 FT	058069		
		1	MC	3/8 X 1/2 ODF ANG	5 FT	057570		
		1-1/2	MC	3/8 X 1/2 ODF ANG	5 FT	057568		
		2-1/2	MC	3/8 X 1/2 ODF ANG	5 FT	058421		
R-22 R-407C	HFESC	1/4	HC	3/8 X 1/2 ODF ANG	5 FT	057409		
			HZ	3/8 X 1/2 ODF ANG	5 FT	057428		
		1/2	HC	3/8 X 1/2 ODF ANG	5 FT	057291		
			HZ	3/8 X 1/2 ODF ANG	5 FT	057429		
		1	HC	3/8 X 1/2 ODF ANG	5 FT	057410		
			HZ	3/8 X 1/2 ODF ANG	5 FT	057430		
		1-1/2	HC	3/8 X 1/2 ODF ANG	5 FT	057292		
			HZ	3/8 X 1/2 ODF ANG	5 FT	057321		
		2	HZ	3/8 X 1/2 ODF ANG	5 FT	057433		
			HC	3/8 X 1/2 ODF ANG	5 FT	057294		
		2-1/2	HC	3/8 X 1/2 ODF ANG	5 FT	057411		
			HZ	3/8 X 1/2 ODF ANG	5 FT	057434		
		3	HC	3/8 X 1/2 ODF ANG	5 FT	057412		
			HZ	3/8 X 1/2 ODF ANG	5 FT	057748		
		5-1/2	HC	3/8 X 1/2 ODF ANG	5 FT	057781		
		8	HC	3/8 X 1/2 ODF ANG	5 FT	058609		
		R-502 R-404A R-507	HFESC	1/4	SC	1/4 X 1/2 ODF ANG	30 IN	066539
					SW45	1/4 X 1/2 ODF ANG	30 IN	066540
SZ	1/4 X 1/2 ODF ANG				30 IN	066542		
1/2	SC			1/4 X 1/2 ODF ANG	30 IN	066543		
	SW45			1/4 X 1/2 ODF ANG	30 IN	066544		
	SZ			1/4 X 1/2 ODF ANG	30 IN	066545		
1	SC			3/8 X 1/2 ODF ANG	5 FT	058135		
	SW45			3/8 X 1/2 ODF ANG	5 FT	058157		
	SZ			3/8 X 1/2 ODF ANG	5 FT	058118		
1-1/2	SC			3/8 X 1/2 ODF ANG	5 FT	058119		
	SW45			3/8 X 1/2 ODF ANG	5 FT	058136		
	SZ			3/8 X 1/2 ODF ANG	5 FT	058121		
2	SC			3/8 X 1/2 ODF ANG	5 FT	058122		
	SW45			3/8 X 1/2 ODF ANG	5 FT	058212		
	SZ			3/8 X 1/2 ODF ANG	5 FT	058214		
3-1/2	SC			3/8 X 1/2 ODF ANG	5 FT	058071		
	SW45			3/8 X 1/2 ODF ANG	5 FT	066547		
	SZ			3/8 X 1/2 ODF ANG	5 FT	066548		
5	SC			3/8 X 1/2 ODF ANG	5 FT	058220		
	SW45			3/8 X 1/2 ODF ANG	5 FT	058221		
	SZ			3/8 X 1/2 ODF ANG	5 FT	066549		
7	SC			5/8 X 7/8 ODF ANG	5 FT	065458		
	SW45			5/8 X 7/8 ODF ANG	5 FT	066550		
	SZ			5/8 X 7/8 ODF ANG	5 FT	064058		
10	SC			5/8 X 7/8 ODF ANG	5 FT	064219		
	SW45			5/8 X 7/8 ODF ANG	5 FT	066551		
	SZ			5/8 X 7/8 ODF ANG	5 FT	064059		
1/4	RC			3/8 X 1/2 ODF ANG	5 FT	057436		
	RZ			3/8 X 1/2 ODF ANG	5 FT	057454		
1/2	RC			3/8 X 1/2 ODF ANG	5 FT	057437		
	RZ			3/8 X 1/2 ODF ANG	5 FT	057455		
1	RC			3/8 X 1/2 ODF ANG	5 FT	057438		
	RW 45			3/8 X 1/2 ODF ANG	5 FT	057446		
	RZ			3/8 X 1/2 ODF ANG	5 FT	057456		
1-1/2	RC			3/8 X 1/2 ODF ANG	5 FT	057439		
	RW 45			3/8 X 1/2 ODF ANG	5 FT	057448		
	RZ			3/8 X 1/2 ODF ANG	5 FT	057322		
2	RC			3/8 X 1/2 ODF ANG	5 FT	057440		
	RZ			3/8 X 1/2 ODF ANG	5 FT	057457		
2-1/2	RC			3/8 X 1/2 ODF ANG	5 FT	057441		
	RZ			3/8 X 1/2 ODF ANG	5 FT	057458		
5	RC			3/8 X 1/2 ODF ANG	5 FT	058595		
	RZ			3/8 X 1/2 ODF ANG	5 FT	059654		

HFSC Series – Internally Equalized						
Refrigerant	Series	Tons*	Charge	Connections	Cap Tube	PCN
R-134a R-12	HFSC	1/4	MC	3/8 X 1/2 ODF ANG	5 FT	057573
		1/2	MC	3/8 X 1/2 ODF ANG	5 FT	058067
R-22 R-407C	HFSC	1/4	HC	3/8 X 1/2 ODF ANG	5 FT	057467
		1/2	HC	3/8 X 1/2 ODF ANG	5 FT	057293
			HZ	3/8 X 1/2 ODF ANG	5 FT	057482
		1	HC	3/8 X 1/2 ODF ANG	5 FT	057468
		2	HC	3/8 X 1/2 ODF ANG	5 FT	057470
		R-404A R-507 R-502	HFSC	1/8	SC	3/8 X 1/2 ODF ANG
SW45	1/4 X 1/2 ODF ANG				30 IN	066552
SZ	1/4 X 1/2 ODF ANG				30 IN	066553
1/4	SC			3/8 X 1/2 ODF ANG	5 FT	058249
	SW45			1/4 X 1/2 ODF ANG	30 IN	066554
	SZ			1/4 X 1/2 ODF ANG	30 IN	066555
1/2	SC			3/8 X 1/2 ODF ANG	5 FT	058250
	SW45			1/4 X 1/2 ODF ANG	30 IN	066556
	SZ			1/4 X 1/2 ODF ANG	30 IN	066557
1	SC			3/8 X 1/2 ODF ANG	5 FT	058251
	SW45			3/8 X 1/2 ODF ANG	5 FT	066558
	SZ			3/2 X 1/2 ODF ANG	5 FT	066559
1-1/4	SC			3/8 X 1/2 ODF ANG	5 FT	058252
	SW45			3/8 X 1/2 ODF ANG	5 FT	066560
	SZ			3/8 X 1/2 ODF ANG	5 FT	066561
R-502	HFSC	1/4	RC	3/8 X 1/2 ODF ANG	5 FT	057487
			RZ	3/8 X 1/2 ODF ANG	5 FT	057484
		1/2	RC	3/8 X 1/2 ODF ANG	5 FT	057488
			RZ	3/8 X 1/2 ODF ANG	5 FT	057485
		1	RC	3/8 X 1/2 ODF ANG	5 FT	057489
			RZ	3/8 X 1/2 ODF ANG	5 FT	057486

* For interchangeable refrigerant charges R-134a/R-12, R-404A/R-507/R-502, and R-22/R-407C, the tons of capacity shown in the table are for the first (primary) refrigerant listed. Consult the Nominal Capacity Table for determining the tons of capacity for the secondary refrigerants listed.

Example: A 1/4 ton R-12 valve is required. What R-134a ton valve should be selected? **Solution:** From the Nominal Capacity Table, a 1/2 ton R-134a valve is equivalent to a 1/4 ton R-12 valve.